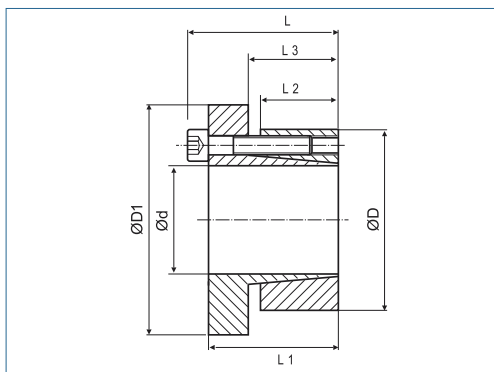


Locking Device

optional
nickel-plated version
optional full stainless
steel version



| | |
|---|--------|
| transmittable Torque | medium |
| surface pressure on hub | medium |
| self-centering | yes |
| axial movement of the hub during assembly | no |
| height D/d | high |
| overall length | short |

Order Code

KBS 15 - 20 x 55

Type Ød ØD

Recommended finishing tolerances of contact surfaces are: shaft h8 / hub H8

| Inner / Outer Ø dxD | Torque T Nm | Dimensions | | | | | Surface pressure on | | Screws | | | Mass kg |
|------------------------|-------------------|------------|---------|----------|----------|----------|----------------------------------|--------------------------------|--------|----------|----------|------------|
| | | D1 mm | L mm | L1 mm | L2 mm | L3 mm | Shaft Pw N/mm ² | Hub Pn N/mm ² | No. | ISO 4762 | TA Nm | |
| 14 x 55 | 290 | 62 | 39 | 31 | 17 | 22 | 460 | 110 | 4 | M8x25 | 42 | 0.50 |
| 16 x 55 | 360 | 62 | 39 | 31 | 17 | 22 | 400 | 110 | 4 | M8x25 | 42 | 0.50 |
| 18 x 55 | 370 | 62 | 39 | 31 | 17 | 22 | 360 | 110 | 4 | M8x25 | 42 | 0.50 |
| 19 x 55 | 390 | 62 | 39 | 31 | 17 | 22 | 340 | 110 | 4 | M8x25 | 42 | 0.50 |
| 20 x 55 | 410 | 62 | 39 | 31 | 17 | 22 | 320 | 110 | 4 | M8x25 | 42 | 0.50 |
| 22 x 55 | 450 | 62 | 39 | 31 | 17 | 22 | 290 | 110 | 4 | M8x25 | 42 | 0.45 |
| 24 x 55 | 490 | 62 | 39 | 31 | 17 | 22 | 270 | 110 | 4 | M8x25 | 42 | 0.45 |
| 25 x 55 | 510 | 62 | 39 | 31 | 17 | 22 | 260 | 110 | 4 | M8x25 | 42 | 0.45 |
| 28 x 55 | 570 | 62 | 39 | 31 | 17 | 22 | 230 | 110 | 4 | M8x25 | 42 | 0.45 |
| 30 x 55 | 610 | 62 | 39 | 31 | 17 | 22 | 220 | 110 | 4 | M8x25 | 42 | 0.60 |
| 24 x 65 | 610 | 72 | 39 | 31 | 17 | 22 | 330 | 120 | 5 | M8x25 | 42 | 0.65 |
| 25 x 65 | 640 | 72 | 39 | 31 | 17 | 22 | 320 | 120 | 5 | M8x25 | 42 | 0.40 |
| 28 x 65 | 710 | 72 | 39 | 31 | 17 | 22 | 290 | 120 | 5 | M8x25 | 42 | 0.60 |
| 30 x 65 | 770 | 72 | 39 | 31 | 17 | 22 | 270 | 120 | 5 | M8x25 | 42 | 0.60 |
| 32 x 65 | 820 | 72 | 39 | 31 | 17 | 22 | 250 | 120 | 5 | M8x25 | 42 | 0.60 |
| 33 x 65 | 850 | 72 | 39 | 31 | 17 | 22 | 240 | 120 | 5 | M8x25 | 42 | 0.60 |
| 35 x 65 | 890 | 72 | 39 | 31 | 17 | 22 | 230 | 120 | 5 | M8x25 | 42 | 0.60 |
| 38 x 65 | 970 | 72 | 39 | 31 | 17 | 22 | 210 | 120 | 5 | M8x25 | 42 | 0.50 |
| 40 x 65 | 1020 | 72 | 39 | 31 | 17 | 22 | 200 | 120 | 5 | M8x25 | 42 | 0.50 |
| 30 x 80 | 1070 | 87 | 41 | 33 | 20 | 25 | 320 | 110 | 7 | M8x25 | 42 | 0.95 |
| 32 x 80 | 1140 | 87 | 41 | 33 | 20 | 25 | 300 | 110 | 7 | M8x25 | 42 | 1.00 |
| 33 x 80 | 1180 | 87 | 41 | 33 | 20 | 25 | 280 | 110 | 7 | M8x25 | 42 | 1.00 |
| 35 x 80 | 1250 | 87 | 41 | 33 | 20 | 25 | 270 | 110 | 7 | M8x25 | 42 | 1.10 |
| 38 x 80 | 1350 | 87 | 41 | 33 | 20 | 25 | 250 | 110 | 7 | M8x25 | 42 | 1.00 |
| 40 x 80 | 1420 | 87 | 41 | 33 | 20 | 25 | 240 | 110 | 7 | M8x25 | 42 | 1.00 |
| 42 x 80 | 1500 | 87 | 41 | 33 | 20 | 25 | 230 | 110 | 7 | M8x25 | 42 | 0.90 |
| 45 x 80 | 1600 | 87 | 41 | 33 | 20 | 25 | 210 | 110 | 7 | M8x25 | 42 | 0.88 |
| 48 x 80 | 1710 | 87 | 41 | 33 | 20 | 25 | 200 | 110 | 7 | M8x25 | 42 | 0.80 |
| 50 x 80 | 1780 | 87 | 41 | 33 | 20 | 25 | 190 | 110 | 7 | M8x25 | 42 | 1.00 |