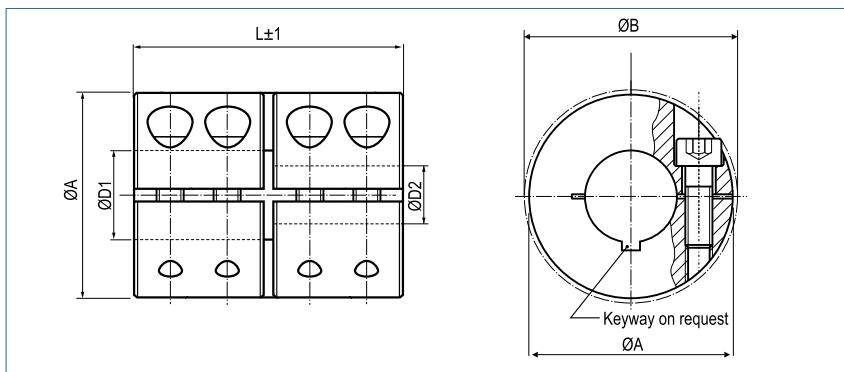


Rigid Shaft Coupling

single slit in stainless steel



Order Code for Standard Coupling

KBST-VA - 50

This coupling will automatically be supplied with unique bore 50H7.

Type Size

Order Code for Coupling with different Bore Diameters

KBST-VA - 50 - 45 - 48

This coupling will be supplied with the dimensions of type KBST-50 but with a bore combination 45H7 - 48H7.

Type Size D1 D2

| Rigid shaft coupling - Stainless Steel | | | | | | | | | |
|--|---------------------------|--------------------------|-------------------------|------|------|------|-----------------|-----------------------------|--------|
| Size | Torque Stainless Steel Nm | Dimensions | | | | | Screw (ISO4762) | Tightening Torque Screws Nm | Mass g |
| | | Standard Bore D1 / D2 H7 | different Bores min~max | A mm | B mm | L mm | | | |
| 6 | 25 | 6 | 5-7 | 18 | 21.2 | 30 | M3x8 | 1.6 | 47 |
| 8 | 40 | 8 | 5-12 | 24 | 26.8 | 35 | M3x10 | 1.6 | 102 |
| 10 | 90 | 10 | 5-15 | 29 | 32.7 | 45 | M4x12 | 3.9 | 185 |
| 12 | 90 | 12 | 5-15 | 29 | 32.7 | 45 | M4x12 | 3.9 | 180 |
| 14 | 160 | 14 | 10-17 | 34 | 39.1 | 50 | M5x16 | 7.6 | 272 |
| 15 | 160 | 15 | 10-17 | 34 | 39.1 | 50 | M5x16 | 7.6 | 266 |
| 16 | 160 | 16 | 10-17 | 34 | 39.1 | 50 | M5x16 | 7.6 | 261 |
| 20 | 300 | 20 | 10-24 | 42 | 48.2 | 65 | M6x16 | 13.2 | 518 |
| 25 | 325 | 25 | 10-26 | 45 | 50.8 | 75 | M6x16 | 13.2 | 623 |
| 30 | 400 | 30 | 20-32 | 53 | 58.1 | 83 | M6x18 | 13.2 | 920 |
| 35 | 925 | 35 | 20-40 | 67 | 74.1 | 95 | M8x25 | 32 | 1880 |
| 40 | 1100 | 40 | 30-50 | 77 | 83.4 | 108 | M8x25 | 32 | 2710 |
| 50 | 1875 | 50 | 40-52 | 85 | 93.2 | 124 | M10x25 | 63 | 3520 |

| Transmittable torque (Nm) depending on shaft diameter (mm) | | | | | | | | | | | | | | | | | | | | | |
|--|----|----|----|-----|-----|-----|-----|-----|-----|-----|-----|-----|-----|-----|------|------|------|------|------|------|------|
| Size | 5 | 6 | 8 | 10 | 12 | 14 | 18 | 20 | 24 | 26 | 28 | 30 | 32 | 38 | 40 | 42 | 44 | 46 | 48 | 50 | 52 |
| 6 | 15 | 16 | | | | | | | | | | | | | | | | | | | |
| 8 | 21 | 22 | 23 | 25 | 27 | | | | | | | | | | | | | | | | |
| 10 | 44 | 45 | 49 | 52 | 56 | 59 | | | | | | | | | | | | | | | |
| 12 | 44 | 45 | 49 | 52 | 56 | 59 | | | | | | | | | | | | | | | |
| 14 | | | | 93 | 98 | 104 | | | | | | | | | | | | | | | |
| 15 | | | | 93 | 98 | 104 | | | | | | | | | | | | | | | |
| 16 | | | | 93 | 98 | 104 | | | | | | | | | | | | | | | |
| 20 | | | | 167 | 175 | 183 | 199 | 207 | 223 | | | | | | | | | | | | |
| 25 | | | | 179 | 187 | 195 | 211 | 219 | 235 | 243 | | | | | | | | | | | |
| 30 | | | | | | | | 243 | 259 | 267 | 274 | 282 | 290 | | | | | | | | |
| 35 | | | | | | | | 510 | 539 | 553 | 568 | 582 | 597 | 641 | 655 | | | | | | |
| 40 | | | | | | | | | | | | 655 | 670 | 713 | 728 | 743 | 757 | 772 | 786 | 801 | |
| 50 | | | | | | | | | | | | | | | 1226 | 1250 | 1273 | 1296 | 1319 | 1342 | 1365 |



Keyways

according DIN 6885/1 are only possible in unique bore diameters.